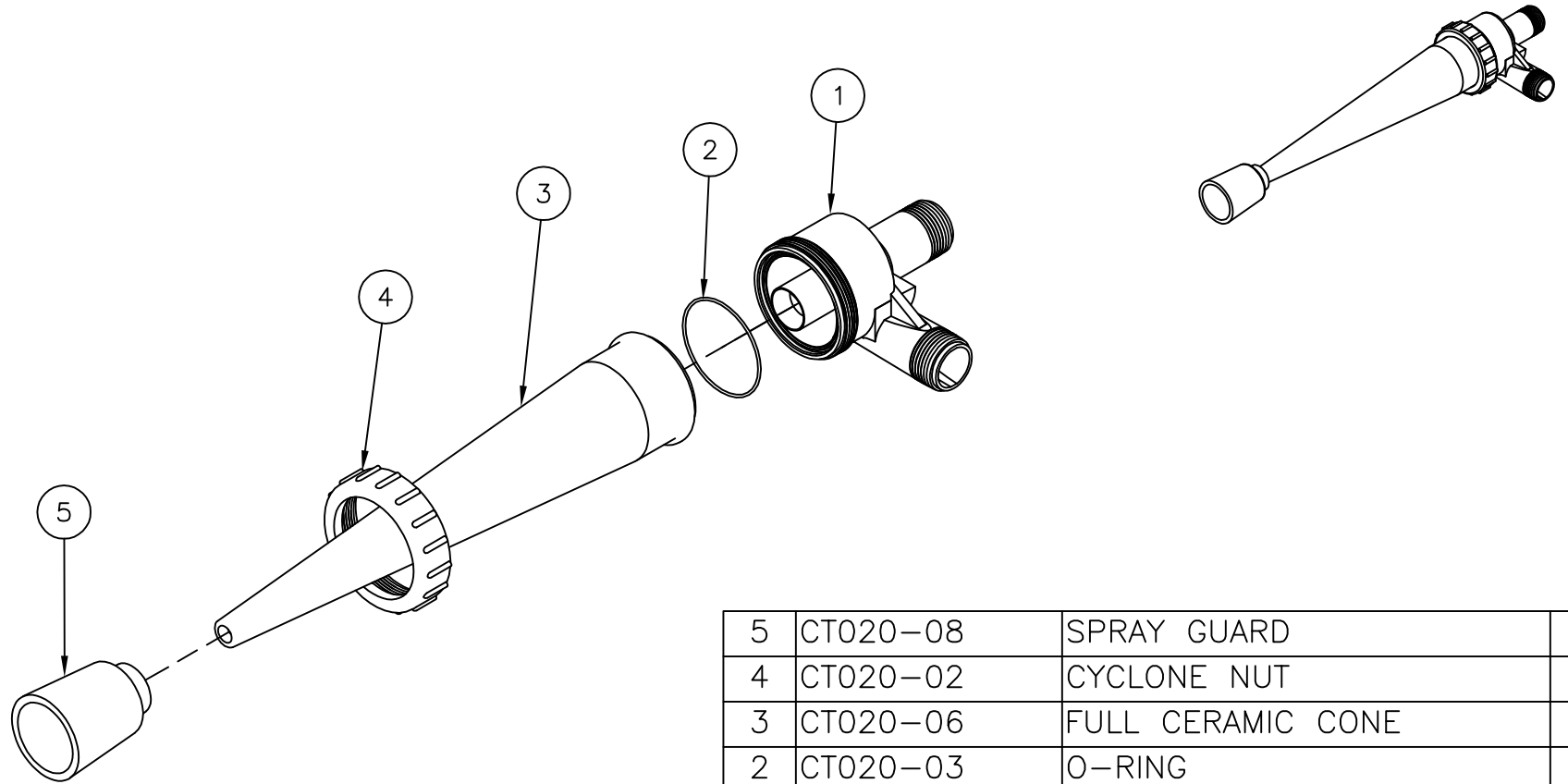


CT020



5	CT020-08	SPRAY GUARD	1
4	CT020-02	CYCLONE NUT	1
3	CT020-06	FULL CERAMIC CONE	1
2	CT020-03	O-RING	1
1	CT020-01	CYCLONE HEAD	1
ITEM	PART NO.	DESCRIPTION	QTY

<i>HEAT TREAT</i>		<i>ROCK "C"</i>		Cyclotron Products Inc. 1509 Rapids Drive Racine WI 53404			
<i>MATERIAL</i> SEE LIST							
<i>STOCK SIZE</i> SEE LIST				<i>ASSY.</i> HYDRO-CYCLONE 5-7 MICRONS			
				<i>NAME</i> LARGE CYCLONE ASSEMBLY			
<i>DRAWN BY</i> KAD	<i>APP'D BY</i>	<i>DATE</i> 03/11/08	<i>NO. REQ.</i> 1	<i>SCALE</i> 1/4	<i>SIZE</i> A	<i>DWG. NO.</i> CT020	

TOLERANCE	
.XXX	± .002
.XX	± .01
ANGLE	± 1°
UNLESS OTHERWISE NOTED	

SYM	CHANGE	DATE	BY
-----	--------	------	----