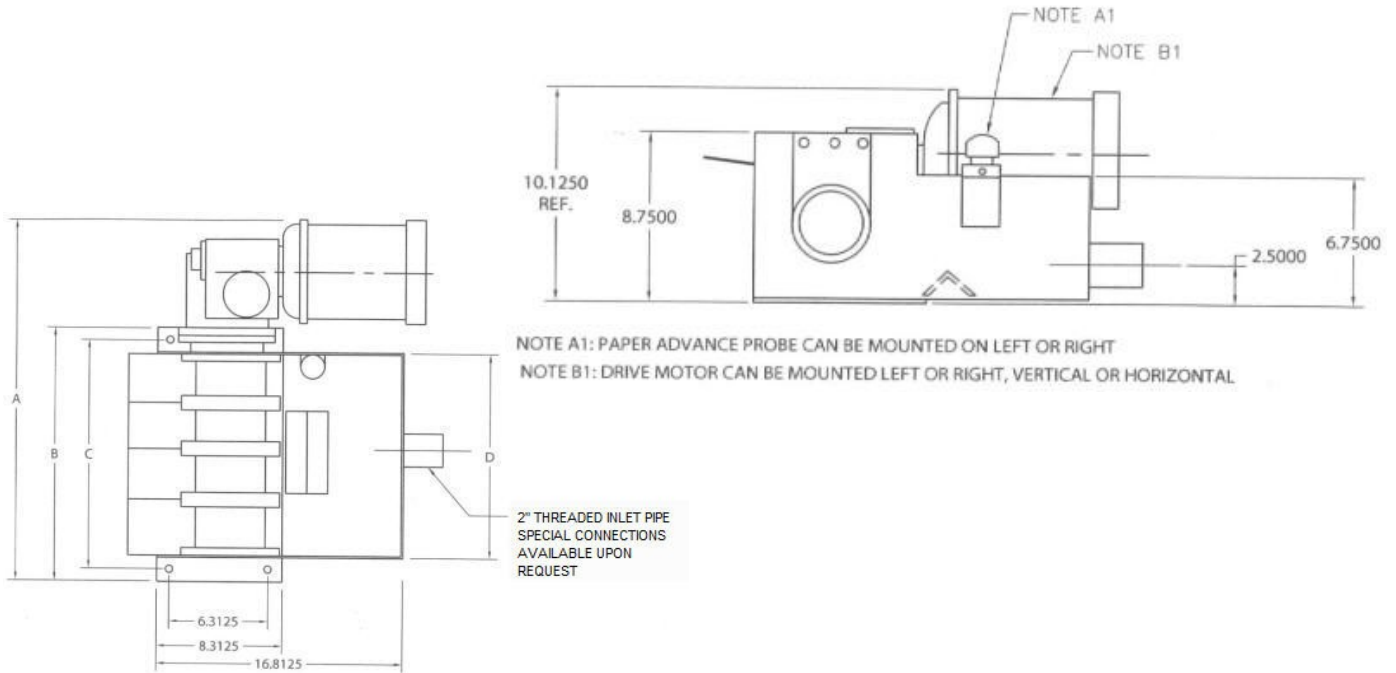




# CYCLOTRON PRODUCTS, INC. CTMD-XXL Series

Magnetic Separators



MODEL	GPM Water	GPM Oil	Dim A "	Dim B "	Dim C "	Dim D "
CTMD-10L	10-14	5	17.4375	10.4375	9.1875	7.4375
CTMD-15L	15-19	8	20.8125	13.8125	12.5625	10.8125
CTMD-20L	20-29	10	24.1250	17.1250	15.8750	14.1250
CTMD-30L	30-39	15	30.7500	23.7500	22.5000	20.7500
CTMD-40L	40-49	20	37.4375	30.4375	29.1875	27.4375
CTMD-50L	50-59	25	44.0625	37.0625	35.8125	34.0625

## COMPONENT SPECIFICATIONS

**Housing:** High carbon steel.

**Painting:** Two part epoxy finish coat, any color specified.

**Scraper Blades:** 1/8" aircraft aluminum.

**Magnets:** Ceramic 8 permanent.

**Bearings:** Roller type—sealed.

**Electric Gear Motor:** TEFC for 230/460/3/60 Hz. operation.

Flow rates are calculated based on gravity flow.

Flow rates are also dependent on swarf load.

Special systems designed to specifications.

Specifications are subject to change without prior notice.