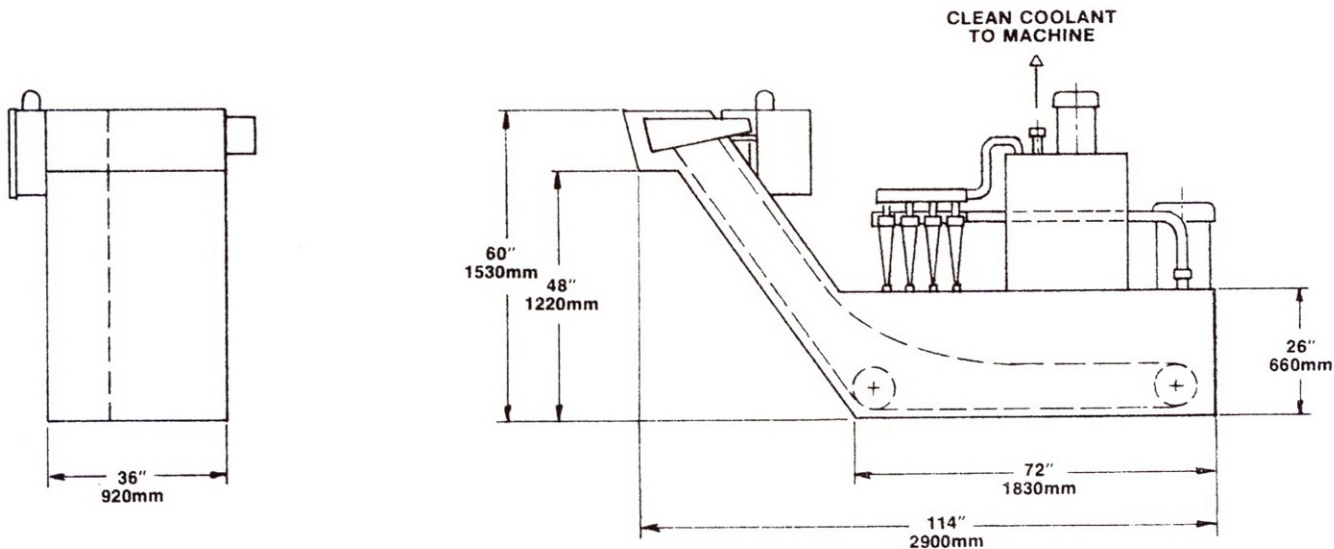




# CYCLOTRON PRODUCTS, INC.

Hydrocyclonic Coolant Filtration Systems

# 300D SERIES



SPECIFICATIONS	CT60-300D	CT80-300D
Flow Rate Gallons per Minute	60	80
Tank Capacity Gallons	100	100
Drag Out Capacity Gallons	200	200
Inlet Height Inches/mm	26/660	26/660
Cyclone Pump Horsepower	3	3
Clean Coolant Pump Horsepower	2	2
Conveyor Motor Horsepower	1/3	1/3
Number of Cyclones in System	3	4

## COMPONENT SPECIFICATIONS

**Piping:** All piping schedule 40 black iron.

**Sheet Metal:** 3/16 hot rolled steel.

**Painting:** Two part epoxy primer and finish coat, any color specified.

**Gages:** Inlet 0-60 PSI, outlet 0-30 PSI.

**Cyclone Pump:** Cast iron with centrifugal impeller.

**Clean Coolant Pump:** Rated flow up to 25 PSI.

**Electric Motors:** TEFC for 230/460/3/60 Hz. operation.

**Electrical Controls:** NEMA 12 enclosure with AC magnetic starters, start and stop buttons, indicator lights, 115 volt single phase control circuit, fused disconnect switch.

Special systems designed to specifications.

Specifications are subject to change without prior notice.